

**PARTS LIST AND DESCRIPTIONS (Continued)**

**FIXED CAPACITORS (cont)**

ITEM No.	RATING	REMARKS	REPLACEMENT DATA			
			AEROVOX PART No.	CENTRALAB PART No.	CORNELL-DUBILIER PART No.	ELEMCO PART No.
C44	.1 400V		P488N-1	DF-104	CUB4P1	4DP-3-104
C45	.1 400V		P488N-1	DF-104	CUB4P1	4DP-3-104

ITEM No.	USE	RESISTANCE	STromberg-Carlson PART No.	CENTRALAB PART No.	CLAROSTAT PART No.	REPLACEMENT DATA	
						CTS-IRC PART No.	MALORY PART No.
R1A	Loudness, Channel B	1meg	145000-109				
B	Loudness, Channel A	300K Tap					
R2A	Bass, Channel B	1meg	145000-110	FL-68, R2-68,			
B	Bass, Channel A	300K Tap		AK-32			
R3A	Treble, Channel B	2meg	145000-114	FL-41, R2-41,			
B	Treble, Channel A	500K		AK-32			
R4	Hum Adj., Channel A	500K	173853-000	WN-101		W11-084, SK5	FL100P
R5	Hum Adj., Channel B	1000 2W	173853-000	WN-101		W11-084, SK5	FL100P

\* Not normally in distributor's stock. Available thru distributor on order to manufacturer.  
# Stromberg-Carlson Part Number.

**CONTROLS**

All wattages 1/2 watt, or less, unless otherwise listed.

**RESISTORS**

All wattages 1/2 watt, or less, unless otherwise listed.

ITEM No.	RATING	REMARKS	REPLACEMENT DATA	
			IRC PART No.	WORKMAN PART No.
R6	47K 5%			
R7	82K 5%			
R8	27000 5%			
R9	220K 5%			
R10	6.8meg 5%			
R11	3.3meg 5%			
R12	270K 5%			
R13	1meg			
R14	100K			
R15	15000			
R16	3300			
R17	470K			
R18	33K			
R19	330K			
R20	1.5meg			
R21	10000 5%			
R22	27K 5%			
R23	47K 5%			
R24	47K 5%			
R25	330K			
R26	330K			
R27	1500 10W			
R28	47K 5%			
R29	82K 5%			
R30	27000 5%			
R31	220K 5%			
R32	220K 5%			

ITEM No.	RATING	REMARKS	REPLACEMENT DATA	
			IRC PART No.	WORKMAN PART No.
R33	6.8meg 5%			
R34	3.3meg			
R35	270K 5%			
R36	1meg			
R37	100K			
R38	15000			
R39	3300			
R40	470K			
R41	47K			
R42	39K			
R43	330K			
R44	1.5meg			
R45	27000 5%			
R46	47K 5%			
R47	47K 5%			
R48	47K 5%			
R49	330K			
R50	330K			
R51	150K			
R52	56K			
R53	56K			
R54	56K			
R55	27000 1W			
R56	100K 2W			
R57	22000 2W			
R58	3.30 5%			
R59	3.30 5%			

\* Alternate Value.

**COMPONENT COMBINATIONS**

ITEM No.	USE	DESCRIPTION	REPLACEMENT DATA	
			Stromberg-Carlson PART No.	Centralab PART No.
X1	Tone Compensation	(3) .01mfd, (2) 1.4meg, 354K	179000-034	Centralab PC-402
X2	Tone Compensation	(3) .01mfd, (2) 1.4meg, 354K	179000-034	Centralab PC-402

**COILS (RF-IF)**

ITEM No.	USE	REPLACEMENT DATA				NOTES
		Stromberg-Carlson PART No.	Miller PART No.	Spencer PART No.	Workman TV PART No.	
L1	Tone Choke (2MH)	555068-207				
L2	Tone Choke (2MH)	555068-207				

**TRANSFORMER (POWER)**

ITEM No.	RATING	REPLACEMENT DATA				NOTES
		Stromberg-Carlson PART No.	Merit PART No.	Thordorson PART No.	Triad PART No.	
T1	580VCT @ 200A DC SEC. 1 5V @ 1.9A SEC. 2 6.3V @ 2.5A SEC. 3 6.3V @ 2.5A SEC. 4 6.3V @ 2.5A SEC. 5 6.3V @ 2.5A	161000-232				

**TRANSFORMER (AUDIO OUTPUT)**

ITEM No.	IMPEDANCE	REPLACEMENT DATA				NOTES
		Stromberg-Carlson PART No.	Merit PART No.	Thordorson PART No.	Triad PART No.	
T2	82000 CT 82 Tap @ 40 572	161000-177				
T3	82000 CT 82 Tap @ 40	161000-178				

**MISCELLANEOUS**

ITEM No.	PART NAME	Stromberg-Carlson PART No.	NOTES
M1	Switch	158000-156	Program Selector (Rotary Water Type)
M2	Switch	158000-032	Stereo-Monaural (SDPT Slide Type)
M3	Switch	158000-058	Normal-Reverse (DPDT Slide Type)
M4	Switch	158000-058	Rumble Filter (DPDT Slide Type)
M5	Switch	158000-058	Scratch Filter (DPDT Slide Type)
M6	Circuit Breaker	558988-101	(1.8 Amp.)

**CABINETS & CABINET PARTS**  
(When Ordering Cabinets & Cabinet Parts, Specify Model, Chassis & Color)

NAME	PART NO.	DESCRIPTION
Face Plate	142000-222	
Knob	134000-128	Rear, Bass, Treble
Knob	134000-127	Rear, Loudness
Knob	134000-181	Front, Loudness
Knob	134000-185	Selector

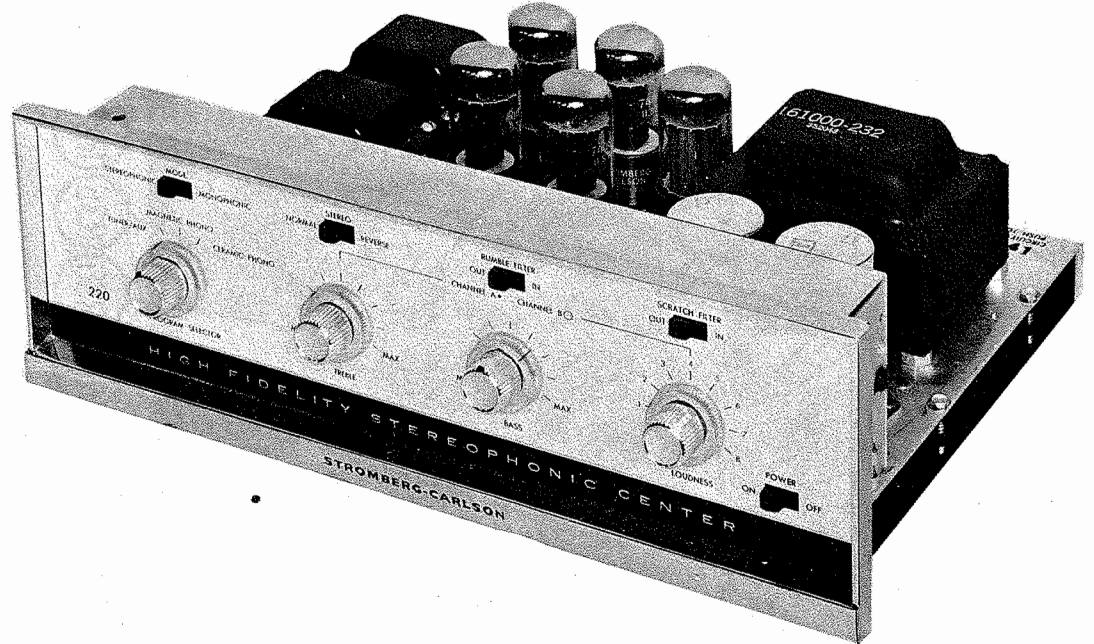
**WIRING DATA**

General-use Unshielded Hook-up Wire ..... Use BELDEN No. 8530 (Solid) Available in 12 Colors  
 Power Cord ..... Use BELDEN No. 8524 (Stranded) Available in 12 Colors  
 Power Cord (Interlock Type) ..... Use BELDEN No. 1706 (Plastic) or 1726 (Rubber) - 6 Ft.  
 Low-Loss Shielded Lead (Interconnecting) ..... Use BELDEN No. 1709 (Plastic) or 1729 (Rubber) - 9 Ft.  
 Photo Pick-up Arm Cable ..... Use BELDEN No. 8401 (Rubber) or 8885 (Plastic)  
 Photo Pick-up Arm Cable ..... Use BELDEN No. 8430 (Two Conductor-Unshielded)  
 Photo Pick-up Arm Cable ..... Use BELDEN No. 8429 (Two Conductor-Shielded)  
 Photo Pick-up Arm Cable ..... Use BELDEN No. 8419 (Three Conductor-Shielded)

FOLDER 12  
SET 584

PHOTOFACT® Folder

STROMBERG-CARLSON  
MODEL ASR-220C



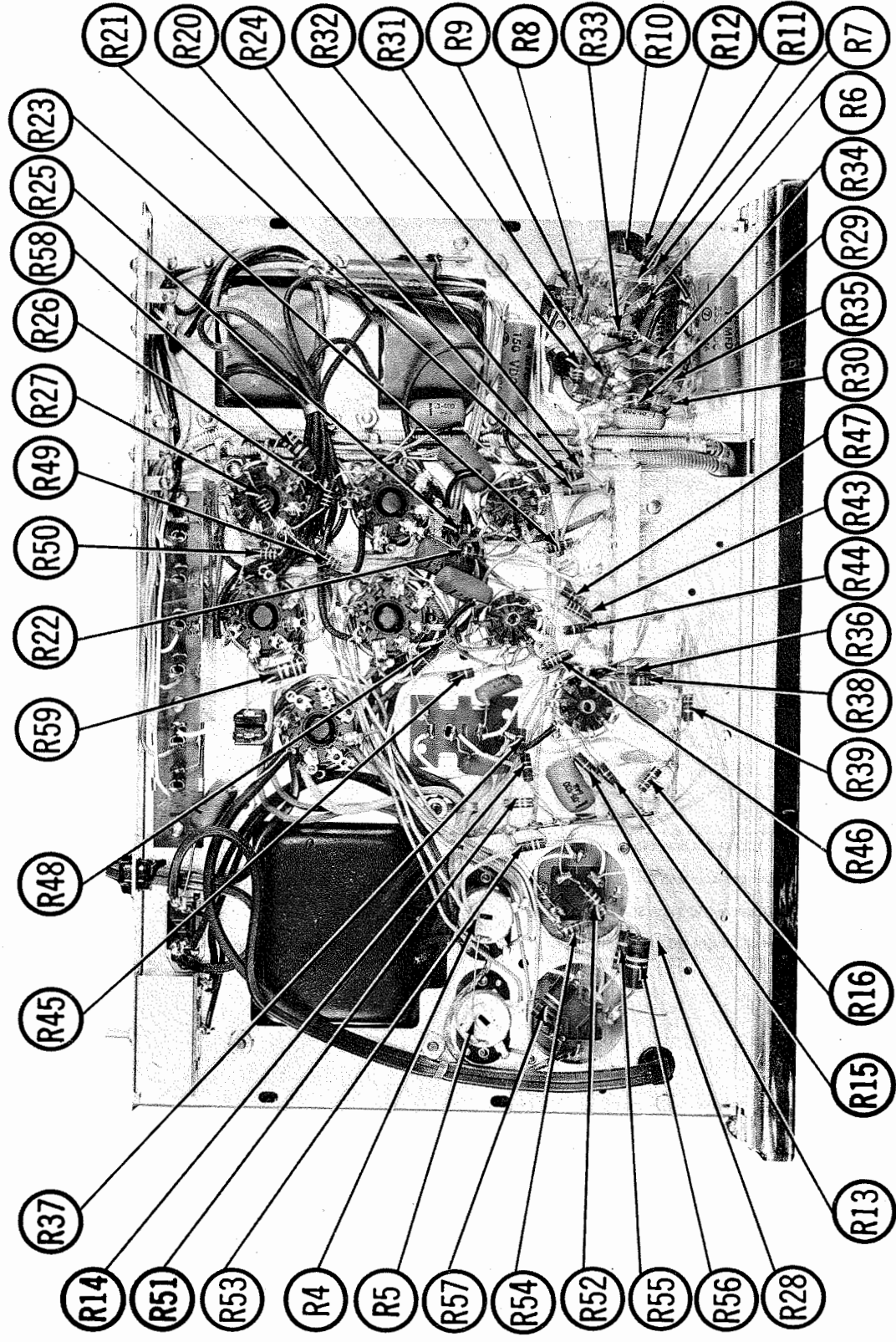
TRADE NAME	Stromberg-Carlson Model ASR-220C		
MANUFACTURER	Stromberg-Carlson Co., A Div. of General Dynamics Corp., Commercial Products Div., 1400 N. Goodman Street, Rochester 9, N. Y.		
TYPE SET	AC Operated 10 Tube Stereo Amplifier		
POWER SUPPLY	110 - 120 Volts AC, 60 Cycles	RATING	115 Watts, 1 Amp. @117 Volts AC



HOWARD W. SAMS & CO., INC. Indianapolis 6, Indiana  
 The listing of any available replacement part herein does not constitute in any case a recommendation, warranty or guaranty by Howard W. Sams & Co., Inc., as to the quality and suitability of such replacement part. The numbers of these parts have been compiled from information furnished to Howard W. Sams & Co., Inc., by the manufacturers of LV113

the particular type of replacement part listed. Reproduction or use, without express permission, of editorial or pictorial content, in any manner, is prohibited. No patent liability is assumed with respect to the use of the information contained herein. © 1962 Howard W. Sams & Co., Inc., Indianapolis 6, Indiana. Printed in U.S. of America

STROMBERG-CARLSON  
MODEL ASR-220C



CHASSIS BOTTOM VIEW - RESISTOR IDENT.

**PARTS LIST AND DESCRIPTIONS**  
TUBES

ITEM No.	AMPEREX	GENERAL ELECTRIC	RAYTHEON	SYLVANIA
V1	Channel A Presamp.	6EU7	Channel B Presamp.	6EU7
V2	Channel A AF Amp.	6EU7	Channel B AF Amp.	7199
V3	Channel B AF Amp.	7199	Phase Inverter	7408
V4	Channel A AF Amp.	7408	Channel B Output	7408
V5	Phase Inverter	7408	Channel B Output	5AR4 (GZ34)*
V6	Channel A Output	7408	Rectifier	
V7	Channel B Output			
V8				
V9				
V10				

\* Alternate

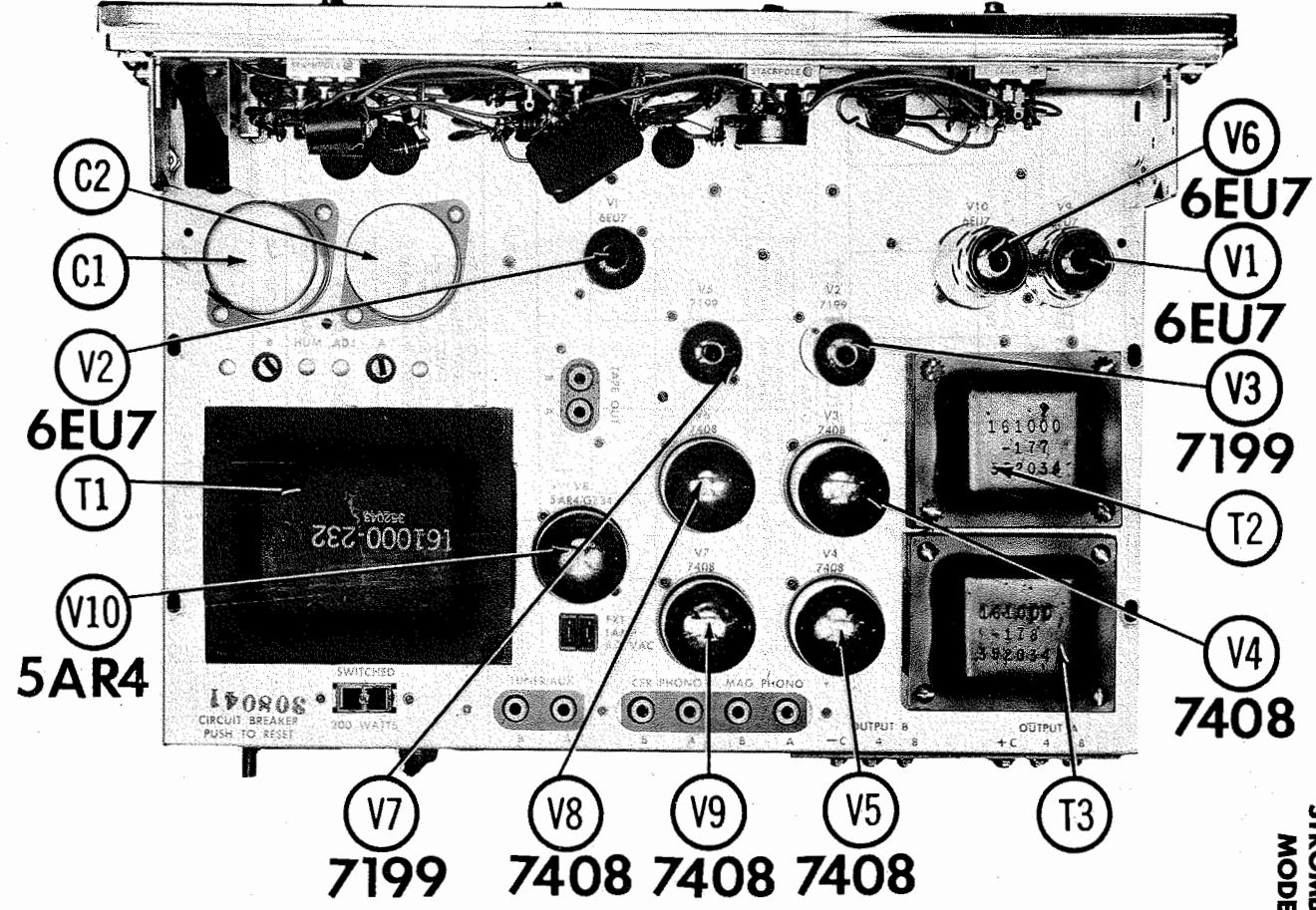
**ELECTROLYTIC CAPACITORS**

ITEM No.	RATING	REPLACEMENT DATA
C1A	30 500	Stromberg-Carlson PART No. 111000-030
C2A	30 500	Stromberg-Carlson PART No. 111000-032
C3	20 450	AEROVOX PART No. AFH2-69
C4	20 450	AEROVOX PART No. AFH3-36
C5	20 450	AEROVOX PART No. PRS1360
C6	100 250	AEROVOX PART No. PRS160
C7	12 250	AEROVOX PART No. PRS160
C8	4 150	AEROVOX PART No. PRS1400
C9	4 150	AEROVOX PART No. PRS1400

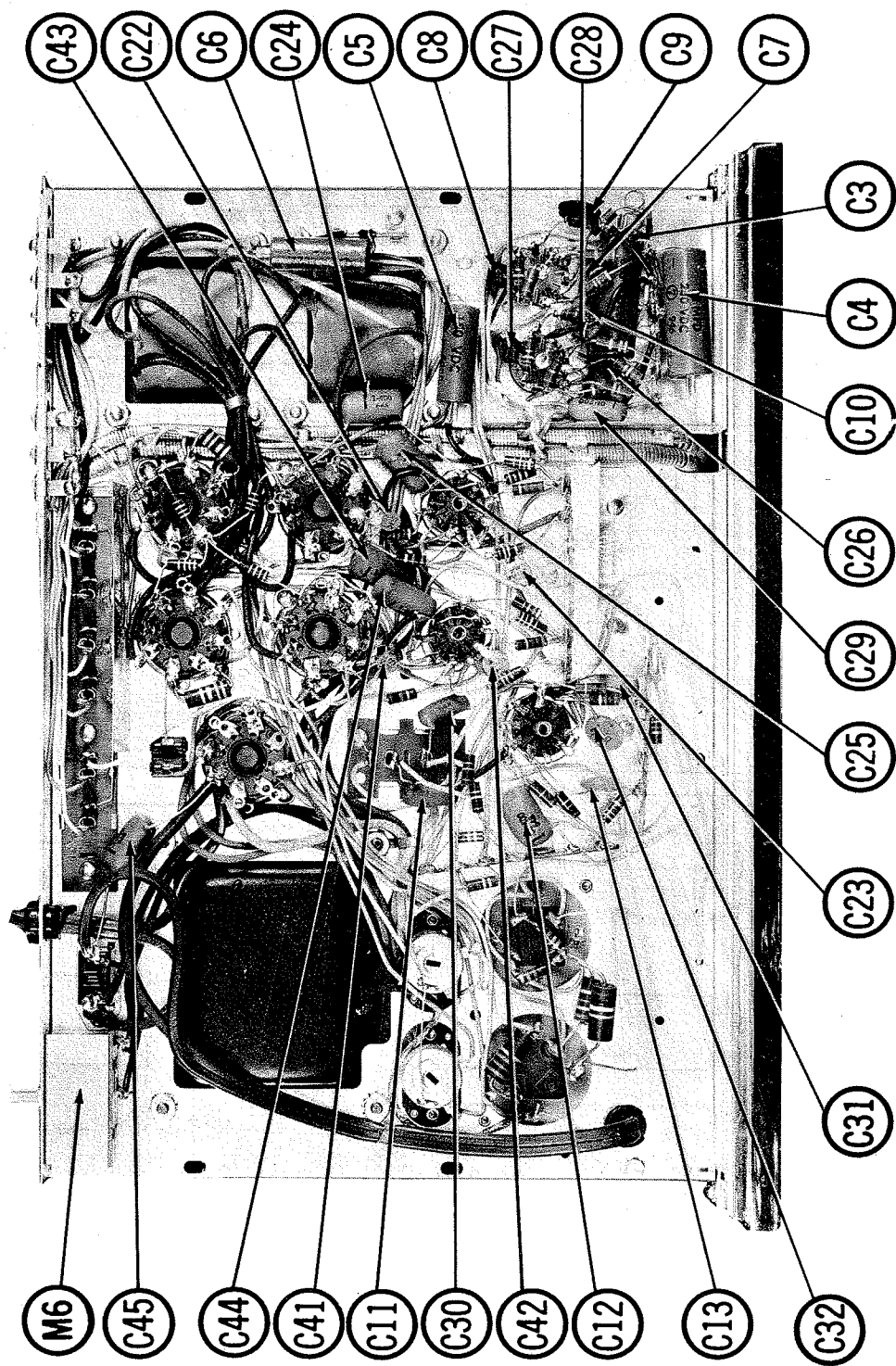
**FIXED CAPACITORS**

ITEM No.	RATING	REMARKS	REPLACEMENT DATA
C7	.01 200V		CORNELL DUBIER PART No. DD-103
C8	.330 10%		CORNELL DUBIER PART No. DD-331
C9	.0015 10%		CORNELL DUBIER PART No. DD-152
C10	.01 200V		CORNELL DUBIER PART No. DD-103
C11	.01 200V		CORNELL DUBIER PART No. DD-103
C12	.05 400V		CORNELL DUBIER PART No. DD-503
C13	.0047 10%		CORNELL DUBIER PART No. DD-821
C14	820 10%		CORNELL DUBIER PART No. DD-821
C15	220 10%		CORNELL DUBIER PART No. DD-221
C16	56 NT50		CORNELL DUBIER PART No. TCN-56
C17	470 10%		CORNELL DUBIER PART No. DD-470
C18	56 NT50		CORNELL DUBIER PART No. TCN-56
C19	.0047 10%		CORNELL DUBIER PART No. DD-470
C20	2T NT50 10%		CORNELL DUBIER PART No. TCN-27
C21	.01		CORNELL DUBIER PART No. DD-470
C22	.01		CORNELL DUBIER PART No. DD-470
C23	100 N1500		CORNELL DUBIER PART No. TCL-100
C24	1 400V		CORNELL DUBIER PART No. DF-104
C25	1 400V		CORNELL DUBIER PART No. DF-104
C26	30 10%		CORNELL DUBIER PART No. DD-331
C27	30 10%		CORNELL DUBIER PART No. DD-331
C28	.0015 10%		CORNELL DUBIER PART No. DD-152
C29	.01 200V		CORNELL DUBIER PART No. DD-103
C30	.05 400V		CORNELL DUBIER PART No. DD-503
C31	.0047 10%		CORNELL DUBIER PART No. DD-821
C32	820 10%		CORNELL DUBIER PART No. DD-821
C33	220 10%		CORNELL DUBIER PART No. DD-221
C34	.0022 10%		CORNELL DUBIER PART No. DD-221
C35	56 NT50		CORNELL DUBIER PART No. TCN-56
C36	470 10%		CORNELL DUBIER PART No. DD-470
C37	.0047 10%		CORNELL DUBIER PART No. DD-470
C38	2T NT50 10%		CORNELL DUBIER PART No. TCN-27
C39	.01		CORNELL DUBIER PART No. DD-103
C40	.01		CORNELL DUBIER PART No. DD-103
C41	47		CORNELL DUBIER PART No. DD-47
C42	100 N1500		CORNELL DUBIER PART No. TCL-100
C43	1 400V		CORNELL DUBIER PART No. DF-104

**CHASSIS—TOP VIEW**



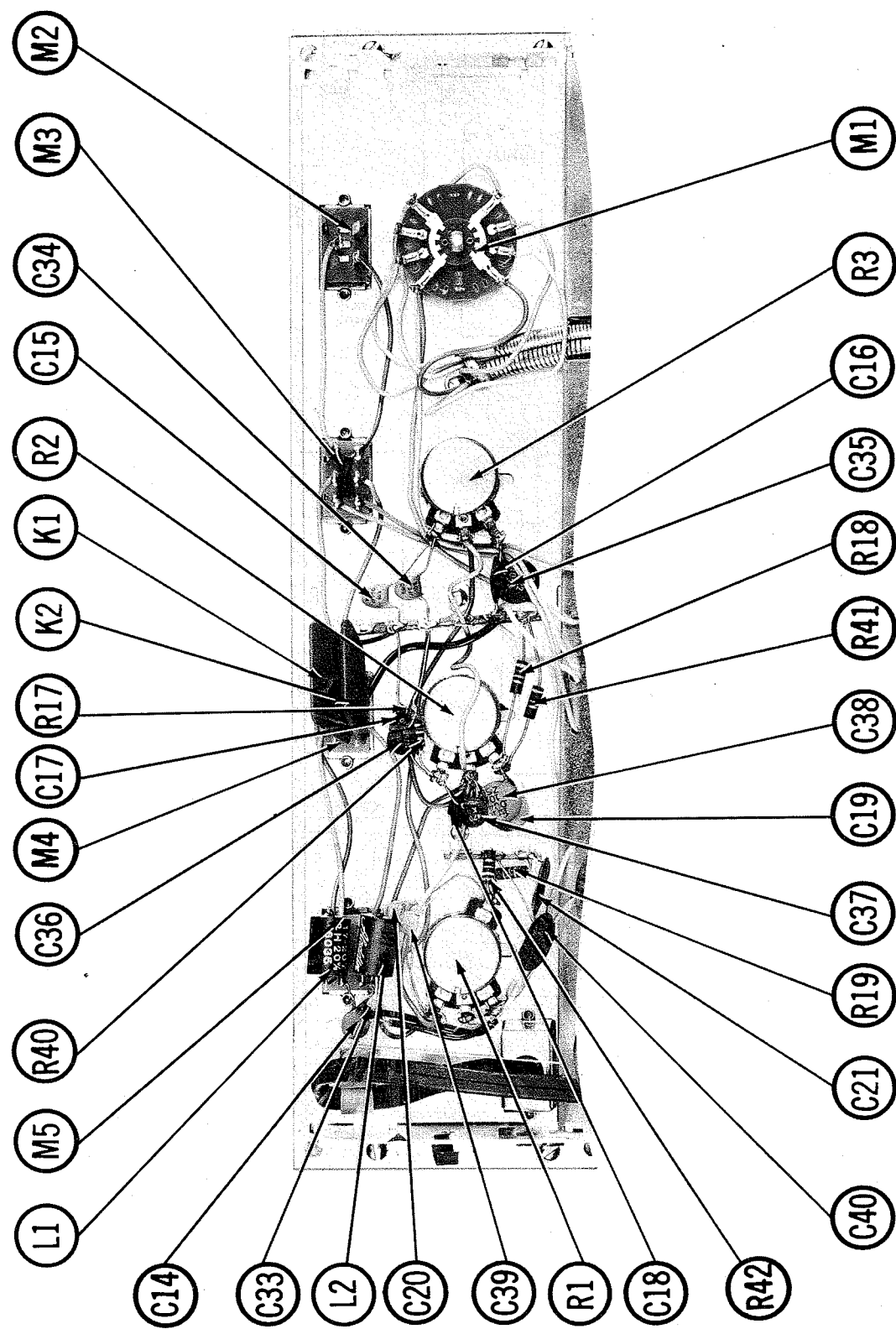
STROMBERG-CARLSON  
MODEL ASR-220C



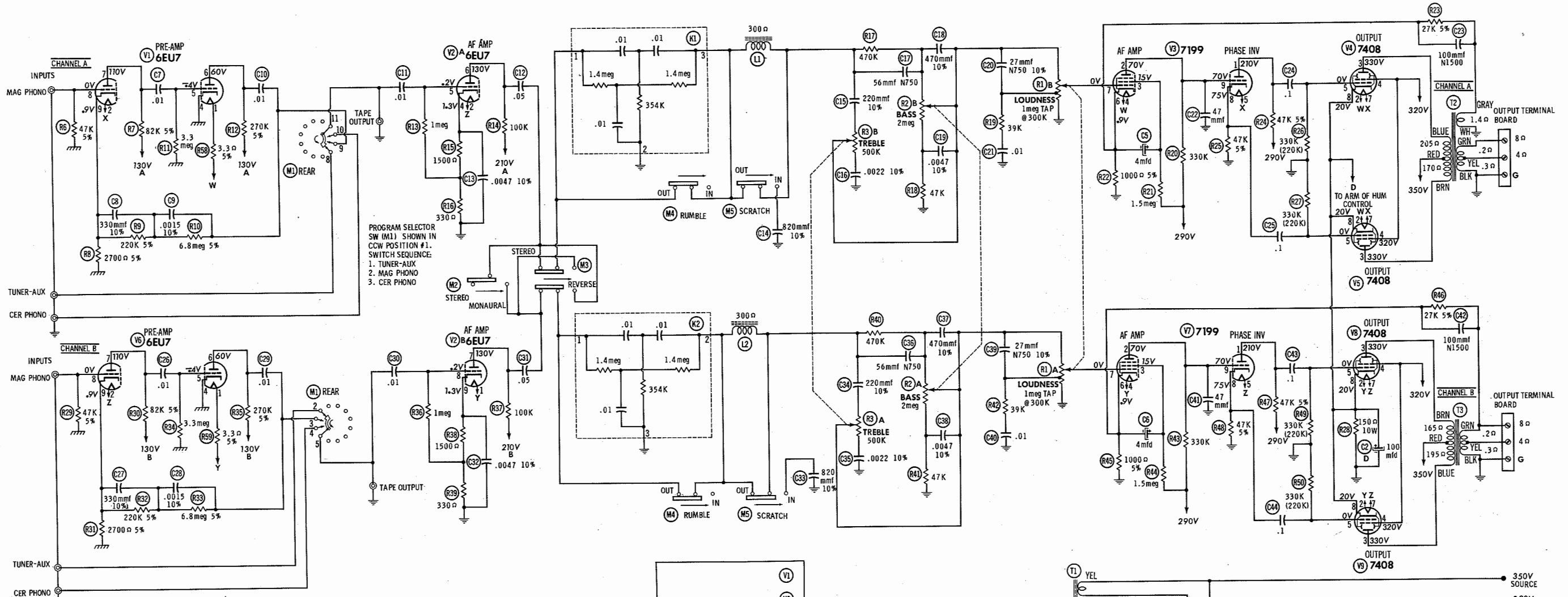
CHASSIS BOTTOM VIEW - CAPACITOR & MISC. IDENT.

STROMBERG-CARLSON  
MODEL ASR-220C

FOLDER 12



CONTROL PANEL - REAR VIEW

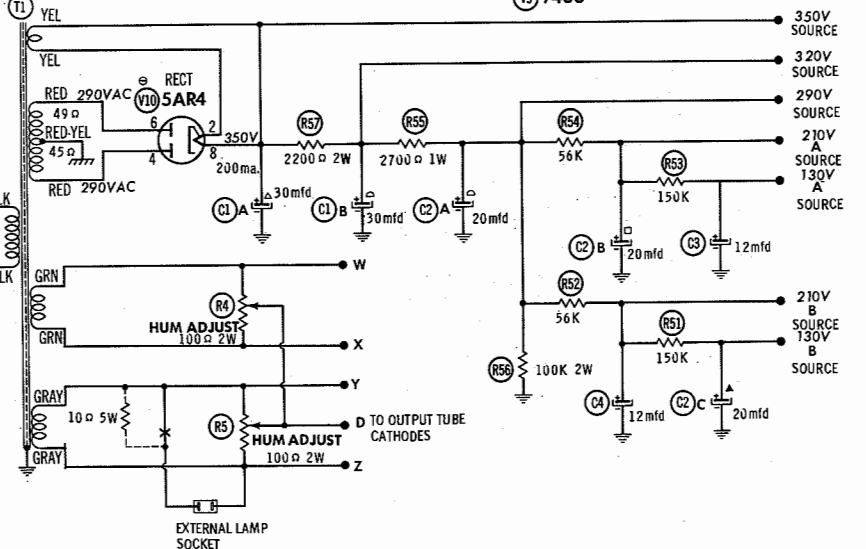
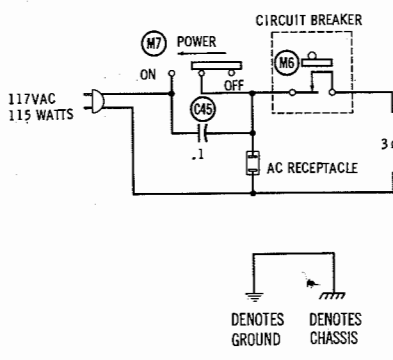
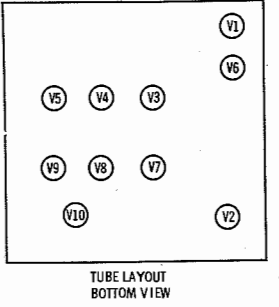


PROGRAM SELECTOR SW (M1) SHOWN IN CCW POSITION #1. SWITCH SEQUENCE:  
 1. TUNER-AUX  
 2. MAG PHONO  
 3. CER PHONO

RESISTANCE READINGS

ITEM	TUBE	Pin 1	Pin 2	Pin 3	Pin 4	Pin 5	Pin 6	Pin 7	Pin 8	Pin 9
V1	6EU7	FIL	FIL	TP	0Ω	3.3meg	†480K	†290K	47K	2700Ω
V2	6EU7	FIL	FIL	NC	1800Ω	1meg	†160K	†160K	1meg	1800Ω
V3	7199	†52K	†335K	†1.5meg	FIL	FIL	1000Ω	0Ω	47K	†335K
V4	7408	TP	FIL	†205Ω	†2200Ω	330K	TP	FIL	150Ω	
V5	7408	TP	FIL	†170Ω	†2200Ω	330K	TP	FIL	150Ω	
V6	6EU7	FIL	FIL	TP	0Ω	3.3meg	†480K	†290K	47K	2700Ω
V7	7199	†52K	†335K	†1.5meg	FIL	FIL	1000Ω	0Ω	47K	†335K
V8	7408	TP	FIL	†165Ω	†2200Ω	330K	TP	FIL	150Ω	
V9	7408	TP	FIL	†195Ω	†2200Ω	330K	TP	FIL	150Ω	
V10	5AR4	NC	†50K	TP	45Ω	NC	49Ω	NC	†50K	

† THIS READING WILL VARY DEPENDING UPON THE CONDITION OF THE ELECTROLYTIC IN THE CIRCUIT.  
 † MEASURED FROM PIN 8 OF V10. NC NO CONNECTION TP TIE POINT



- NUMBERS ASSIGNED TO COILS, SWITCHES, PLUGS, SOCKETS, AND TRANSFORMERS ARE TO FACILITATE CIRCUIT TRACING OR COMPONENT REPLACEMENT AND MAY NOT NECESSARILY BE FOUND ON THE UNIT.
- SEE PARTS LIST FOR ALTERNATE VALUE OR APPLICATION
- DC voltage measurements taken with vacuum tube voltmeter; AC voltages measured with 1000 ohm per volt voltmeter.
  - Socket connections are shown as bottom views.
  - Measured values are from socket pin to common ground.
  - Line voltage maintained at 117 volts for voltage readings.
  - Nominal tolerance of component values makes possible a variation of ±1% in voltage and resistance readings.
  - All controls at minimum, proper output load connected.

A PHOTOFACIT STANDARD NOTATION SCHEMATIC  
 © Howard W. Sams & Co., Inc. 1962

STROMBERG-CARLSON  
 MODEL ASR-220C